



# Design

WORKBOOK

---

DESIGN FOR BETTER LIVING

INTERIORS  
ALANA FLETCHER

# Define Your Vision

## DESIGN QUESTIONNAIRE

Dream Big! If money were no object, what would like to see in your space? This is a broad strokes exercise so don't limit yourself. We recommend starting a Pinterest board to gather your inspiration and to keep tabs on overlapping design elements that you are drawn to.

What room(s) are you looking to re-design?

How do you currently use the room(s)?

What changes do you want to make?



## DESIGN QUESTIONNAIRE

What elements cannot be changed?



What would you like to see added?

Do you require any tech needs (music, AV/media, TV, home theatre, computer) ?

Is updated/additional lighting needed?



## DESIGN QUESTIONNAIRE

Are you looking to add storage?

What architectural style is your home? What word would best describe your decor style?

Do you have any favorite shops for furniture or dislikes?

Do you have any preferences in fabrics, materials and colours?



## DESIGN QUESTIONNAIRE

Please circle your preferences of color and list others you think of.

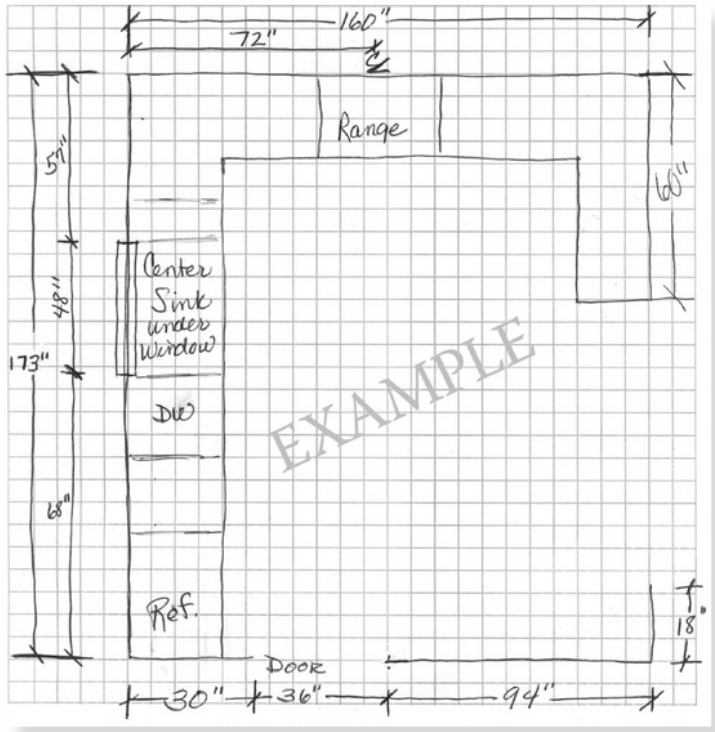
Whites	Olive Greens	Powder Blue	Blues	Bold	Lavenders
Blacks	Forest Greens	Warm Colors	JewelTones	Pastels	Purples
Burgundies	Mint Greens	Cool Colors	Neutrals Earth	Grays	Greens
Pinks	Oranges	Subtle	Tones Pale	Beiges	
Aquas	Reds	Bright	Yellows Peach	Tans	
Teals	Navy Blue	Navy Blue		Eggplant	

Circle words that appeal to you and jot down others that you think of.

Colourful	Authentic	Urban	Global	Masculine	French
Eclectic	Rustic	Artistic	Wordly Traveled	Laid Back	English
Traditional	Clean	Polished	Natural	Quality	Flea-market
Modern	Airy	Sparse	Indian Convnient	Creative	Feminine Italian
Sophisticated	Bright	Texture	Functional	Cheerful	Mediterranean
Elegant	Stimulating	Interest	Carefree	Vibrant	Playful
Open	Funky	Zen	Feminine	Aged	Casual Green
Light	Asian	Ethnic	Symmetrical	Rich	Hollywood
Calming	Simple	European	Galmour	Beachy	Regency
Retro	Architectural	Classic	Geometric	Bohemian	Detailed
Cottage	Luxurious	Cozy	Different	Southwestern	Oasis
Charming	Mid-Century	Warm	Soft	California Chic	Neutral
Antique	Modern	Sunny	Graphic Pretty	Outdoorsy	Soothing
Whimsical	Marrakesh	Artsy		Cabin	
Harmonious	High Contrast	Country		Global	
Purity	Impact	Sculpted			

# Drawing Your Floor Plan

## FLOOR PLAN INFORMATION



- Begin by drawing the shape of your room. Add doors, windows, breaks in the wall and all obstructions. Indicate in which direction doors swing and where they lead.
- Measure all around the room until everything is located, measured and marked on your sketch.
- Indicate the overall length and height of walls.
- Check that you correctly measured your room by adding your measurements for each wall and comparing them to the opposite wall.

# Window & Door Dimensions

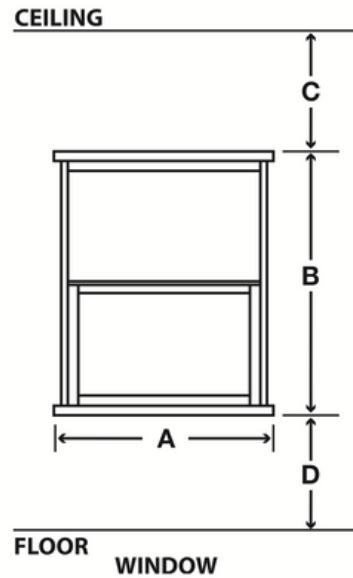
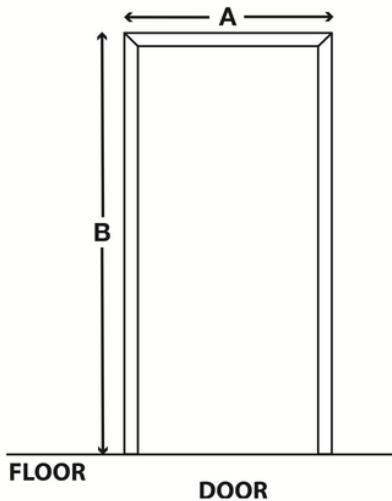
Measure the dimensions of all the windows and doors in the room.

- For door measurements use A for door width and B for door height. Also, make note of the door hinge and swing.

Window and door measurements A and B should include trim.

- Use the number designation from the grid (1,2,3,etc.) to label the location of the windows and doors on your final floor plan.

Please record all dimensions in inches.

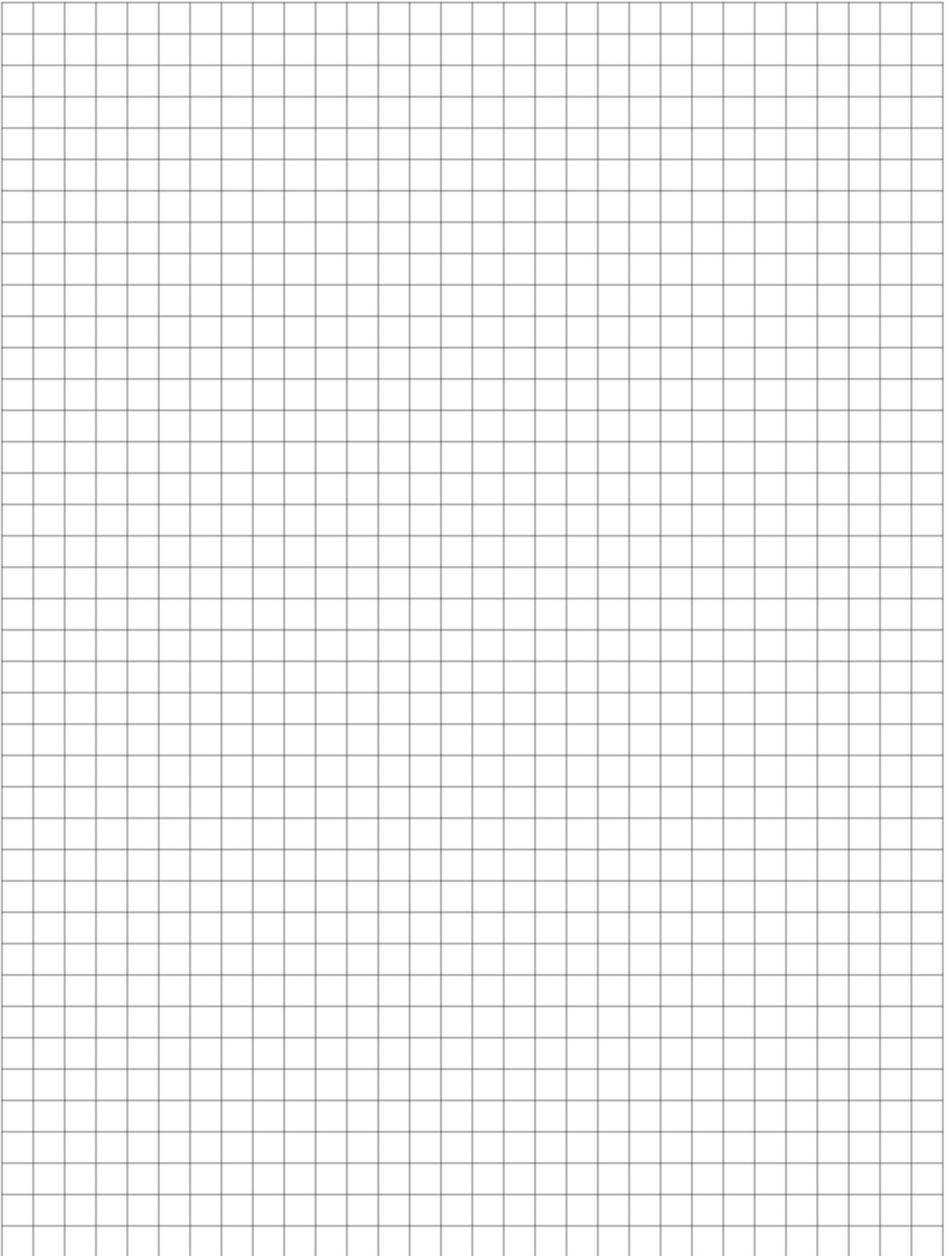


**DOORS**

	A	B	Hinge (left/right)	Swing (in/out)
1				
2				
3				
4				

**WINDOWS**

	A	B	C	D
1				
2				
3				
4				





# Get Inspired

## MOOD BOARDS



DE NIVES NO.299 - FARROW & BALL



INCHRA BLUE NO.289 - FARROW & BALL



HAGLE BLUE NO.30 - FARROW & BALL



STIFFKEY BLUE NO.281 - FARROW & BALL



PALE OAK OC.201 - BENJAMIN MOORE



INTENSE WHITE OC.51 - BENJAMIN MOORE



WHITE DIAMOND 2121-601 - BENJAMIN MOORE

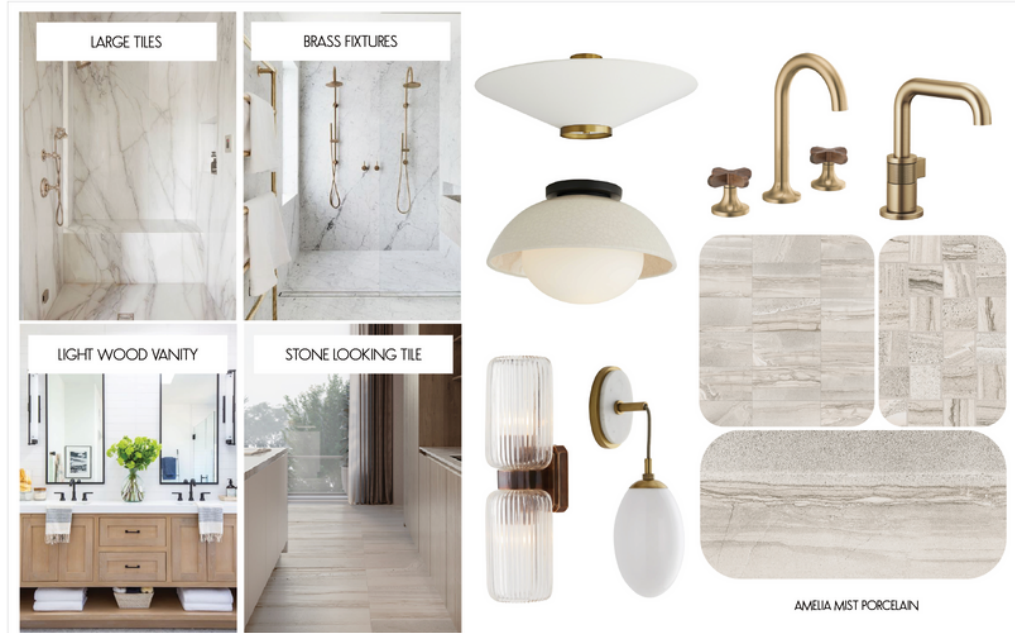


CHANTILLY LACE OC. 65 - BENJAMIN MOORE



# Get Inspired

## MOOD BOARDS



# Get Inspired

MATERIALS, FIXTURES & EQUIPMENTS SELECTIONS



## GET THE LOOK

PLAYFUL AND DRAMATIC  
POWDER ROOM

INTERIORS  
ALANA FLETCHER



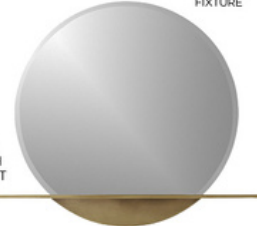
BENJAMIN MOORE - WHITE DOVE  
WALL COLOUR



BRIZO HANDSHOWER  
WITH SLIDING BAR



FLUSH-MOUNT  
MODERN LIGHT  
FIXTURE



MEDIUM SIZE  
MIRROR WITH  
BRASS ACCENT



LARGE SCALE  
SHOWER GLASS TILE



SPECIAL/DRAMATIC  
HEX WALL & FLOOR TILE



BRIZO  
TP HOLDER



MATT FINISH  
BRASS FIXTURES

WALL-MOUNT  
WASHBASIN



BATHROOM  
ACCESSORIES

### KEY FEATURES

- Brass accents
- Wall mounted sink
- Mosaic tile on walls and floor

